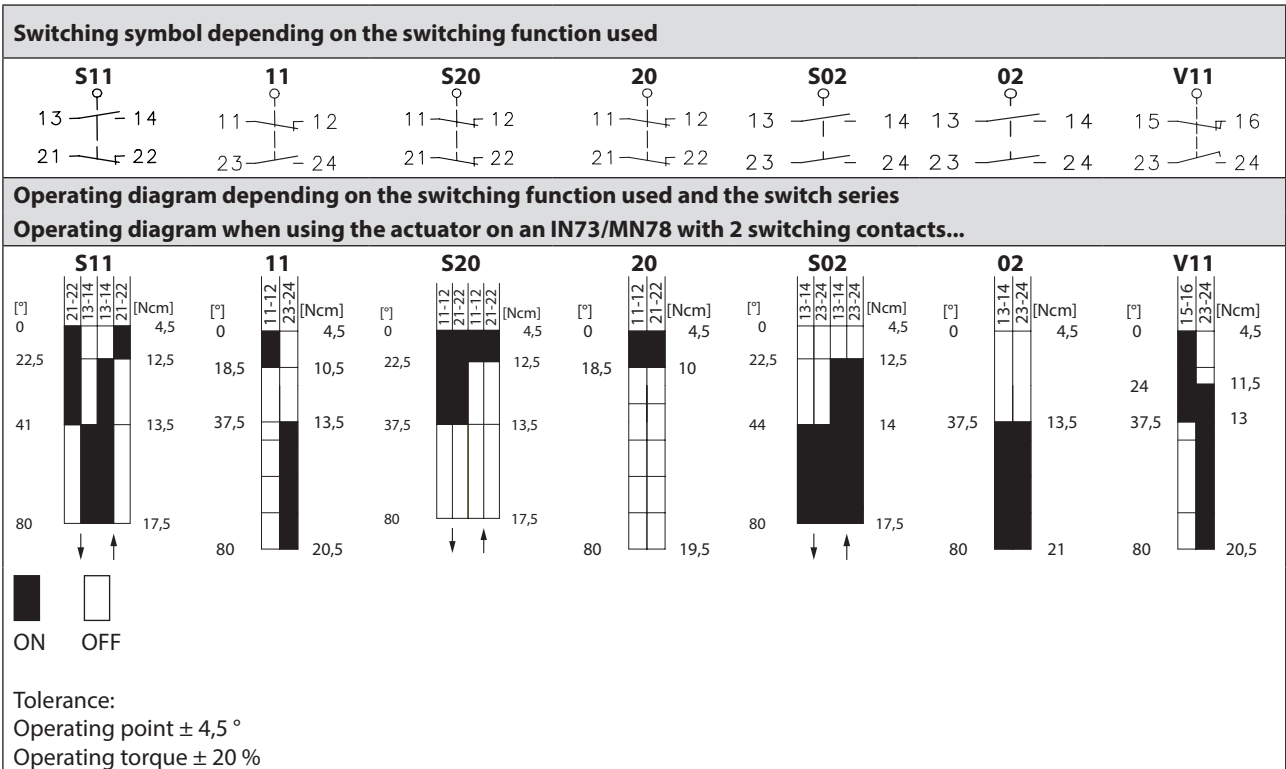
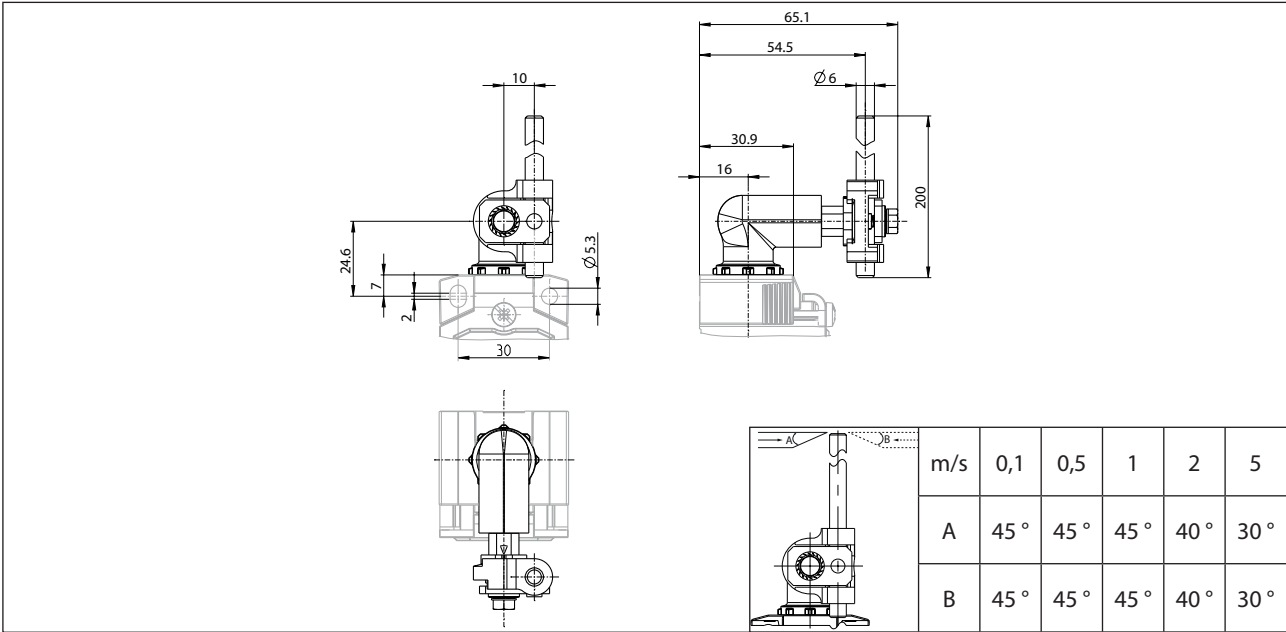


# Actuator

## Series IN73/MN78-modular system

Description <b>AHDK-EINR. IN73/MN78</b>	Article number <b>3918372420</b>
-----------------------------------------	----------------------------------



Switching symbol depending on the switching function used					
<b>22</b>	<b>40</b>	<b>04</b>	<b>31</b>	<b>13</b>	<b>V22</b>
Operating diagram when using the actuator on an IN73/MN78 with 4 switching contacts...					
<b>22</b>	<b>40</b>	<b>04</b>	<b>31</b>	<b>13</b>	<b>V22</b>
<p> </p> <p>                     Tolerance:                      Operating point <math>\pm 7^\circ</math>                      Operating torque <math>\pm 25\%</math> </p>					

Mechanical data	
Actuator	Thermoplastic wire $\varnothing 6$ mm / lever in $15^\circ$ increments adjustable
Operating temperature	$-30^\circ\text{C} \dots +75^\circ\text{C}$
Storage temperature	$-40^\circ\text{C} \dots +80^\circ\text{C}$
Protection type	IP66 / IP67 acc. EN 60529
Switching frequency	$\leq 60$ / min.
Mechanical life	$10 \times 10^6$ operating cycles * <sup>1</sup>
Mission time	$\leq 20$ years
Weight	$\approx 0,075$ kg
Installation position	operator definable

Actuation
The actuating device is preferably started from 2 sides. By lifting the clamp the actuation assembly can be rotated in $45^\circ$ increments such that 16 actuation directions are possible. The actuation assembly is to be again fastened to the housing by lowering the clamp.

Approvals
CCC
cUL <sub>US</sub>

## Notes


\*1 The specification represents the maximum value for the respective individual component of the kit. The decisive mechanical life is determined for the completely assembled terminal device by the individual component with the lowest value.

The degree of protection (IP code) specified applies solely in the mounted state.

Approvals / properties applies only to the fully assembled device.

## Safety Instructions

Due to its design, this actuating device has no direct opening action in accordance with DIN EN 60947-5-1 Annex K and must therefore not be used for safety applications.

Any symbol for direct opening action  on the switchgear loses its validity and must be removed or made unrecognisable during installation.

The overall concept of the control, in which the position switch and this actuating device are integrated, must be validated according to DIN EN ISO 13849-2 or evaluated according to DIN EN 62061.